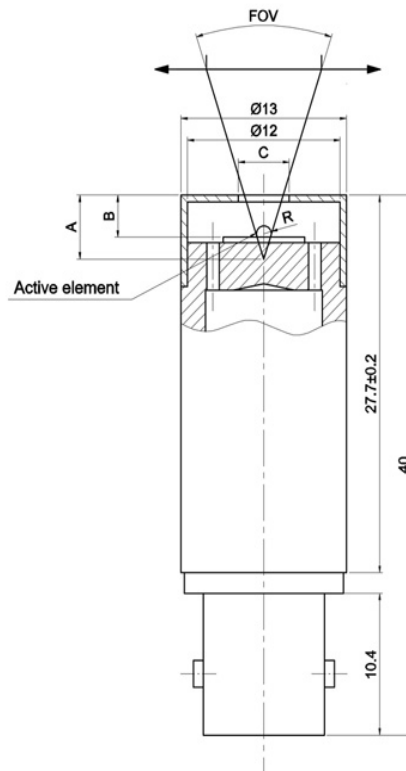
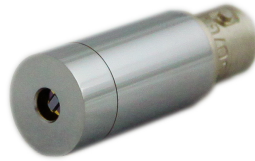


Packages with BNC Connectors

The specialized BNC-based packages are used for uncooled room temperature devices (MPC, PC, PCI, PV, PVI, PVM, PVMI). Standard devices are delivered without a window.

Dimensions in millimeters.



	Hyperhemisphere				Hemisphere	Flat
Optical area	0.5×0.5	1×1	2×2	3×3	0.5×0.5 – 3×3	0.01×0.01 – 4×4
R [mm]	0.5	0.8	1.25	1.6	0.5-1.6	∞
A [mm]	4.6±0.3	5.5±0.3	6.85±0.3	7.9±0.3	3.1±0.3	1.6±0.3
B [mm]	3.1±0.15	3.1±0.15	3.1±0.15	3.1±0.15	3.1±0.15	1.6±0.15
FOV, C=Ø4	~36°	~36°	~36°	~36°	66°	102°
FOV, C=Ø6	~36°	~36°	~36°	~36°	88°	124°