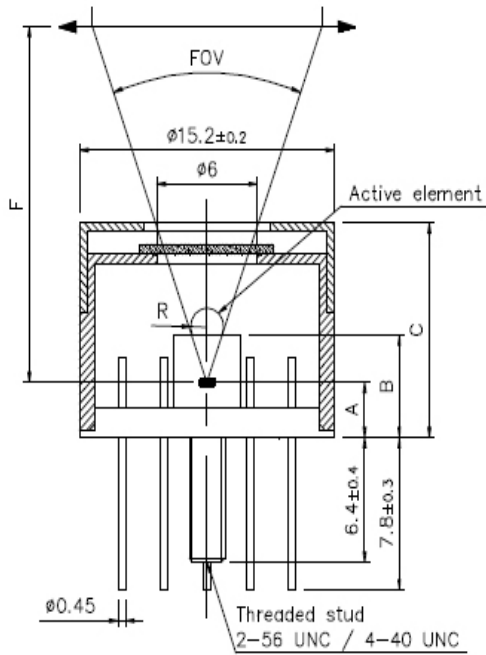


## TO8 Packages

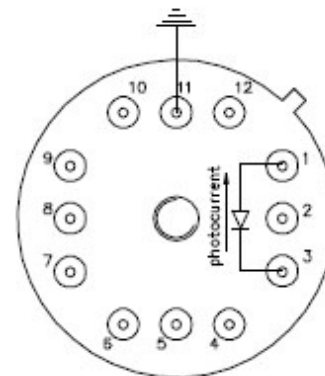
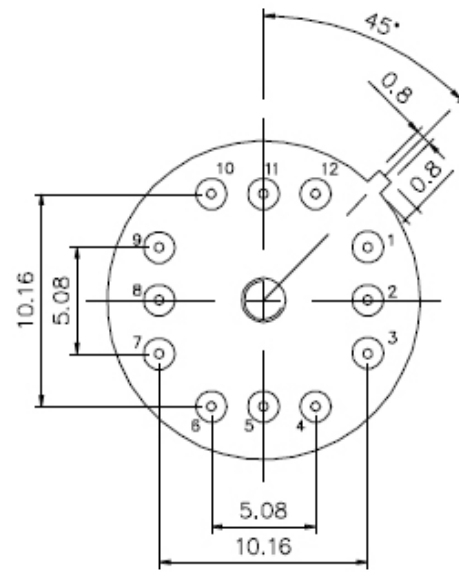
The TO8-based packages are used for thermoelectrically cooled devices (PC-nTE, PCI-nTE, PV-nTE, PVI-nTE, PVM-nTE and PVMI-nTE). The packages are filled with dry, heavy noble gases for low thermal conductivity (Kr/Xe mixtures). Water vapor condensation is prevented by careful sealing and water absorbers applied inside the package. BaF<sub>2</sub> windows are used as a standard, other windows possible on request.



Dimensions in millimeters



Bottom view



Note: 2-56UNC-2A thread: 56 threads/inch, major dia.: 0.086", minor dia.: 0.0648", pitch dia.: 0.0744"

| 2TE                                      |                 |         |          |               |                 |
|--|-----------------|---------|----------|---------------|-----------------|
|  | Hyperhemisphere |         |          | Hemisphere    | Flat            |
| Detector optical area [mm <sup>2</sup> ] | 0.5×0.5         | 1×1     | 2×2      | 0.5×0.5 – 3×3 | 0.01×0.01 – 4×4 |
| R [mm]                                   | 0.5             | 0.8     | 1.25     | 0.5-1.6       | ∞               |
| A [mm]                                   | 4.1±0.3         | 3.2±0.3 | 1.85±0.3 | 5.6±0.3       | 5.6±0.3         |
| B [mm]                                   | 5.6±0.3         | 5.6±0.3 | 5.6±0.3  | 5.6±0.3       | 5.6±0.3         |
| C [mm]                                   | 11±0.3          | 11±0.3  | 11±0.3   | 11±0.3        | 11±0.3          |
| FOV                                      | ~36°            | ~36°    | ~36°     | ~70°          | ~70°            |

| 3TE                                      |                 |          |           |               |                 |
|--|-----------------|----------|-----------|---------------|-----------------|
|  | Hyperhemisphere |          |           | Hemisphere    | Flat            |
| Detector optical area [mm <sup>2</sup> ] | 0.5×0.5         | 1×1      | 2×2       | 0.5×0.5 – 3×3 | 0.01×0.01 – 4×4 |
| R [mm]                                   | 0.5             | 0.8      | 1.25      | 0.5-1.6       | ∞               |
| A [mm]                                   | 5.7±0.35        | 4.8±0.35 | 3.45±0.35 | 7.2±0.35      | 7.2±0.35        |
| B [mm]                                   | 7.2±0.35        | 7.2±0.35 | 7.2±0.35  | 7.2±0.35      | 7.2±0.35        |
| C [mm]                                   | 12.4±0.3        | 12.4±0.3 | 12.4±0.3  | 12.4±0.3      | 12.4±0.3        |
| FOV                                      | ~36°            | ~36°     | ~36°      | ~70°          | ~70°            |

| 4TE                                      |                 |         |         |               |                 |
|--|-----------------|---------|---------|---------------|-----------------|
|  | Hyperhemisphere |         |         | Hemisphere    | Flat            |
| Detector optical area [mm <sup>2</sup> ] | 0.5×0.5         | 1×1     | 2×2     | 0.5×0.5 – 3×3 | 0.01×0.01 – 4×4 |
| R [mm]                                   | 0.5             | 0.8     | 1.25    | 0.5-1.6       | ∞               |
| A [mm]                                   | 7.3±0.4         | 6.4±0.4 | 5±0.4   | 8.8±0.4       | 8.8±0.4         |
| B [mm]                                   | 8.8±0.4         | 8.8±0.4 | 8.8±0.4 | 8.8±0.4       | 8.8±0.4         |
| C [mm]                                   | 14±0.3          | 14±0.3  | 14±0.3  | 14±0.3        | 14±0.3          |
| FOV                                      | ~36°            | ~36°    | ~36°    | ~70°          | ~70°            |

