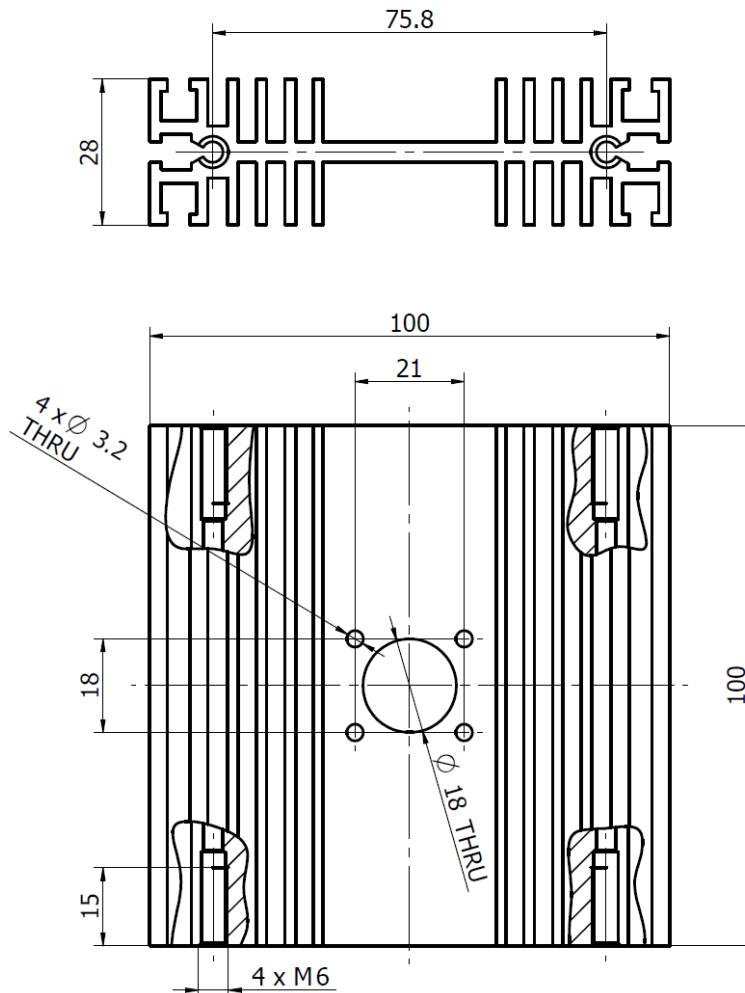


MHS-2 heatsink

MHS-2 is an external heatsink made of black anodized aluminium, dedicated for OEM VIGO detection modules integrated with TE cooled detectors and preamplifier SIP-TO8. It provides suitable dissipation of heat generated by the Peltier cooler. Its thermal resistance is ~ 1.5 K/W.



Mechanical layout, mm

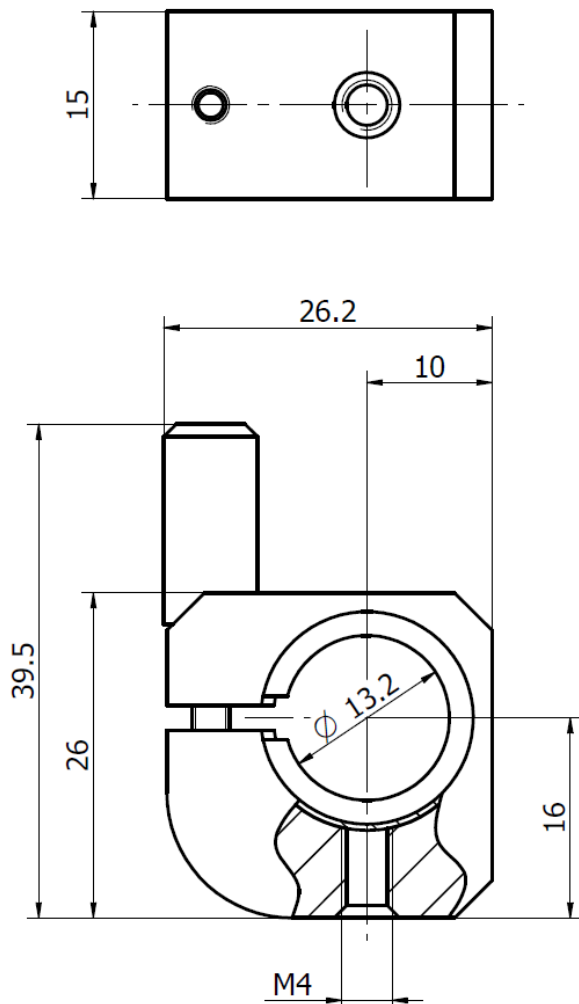


DH-2 detector holder



DH-2 is a detector holder with M4 mounting hole, dedicated for assembly VIGO uncooled detectors in BNC and PEM-SMA packages. It is compatible with DRB-2 mounting system.

Mechanical layout, mm

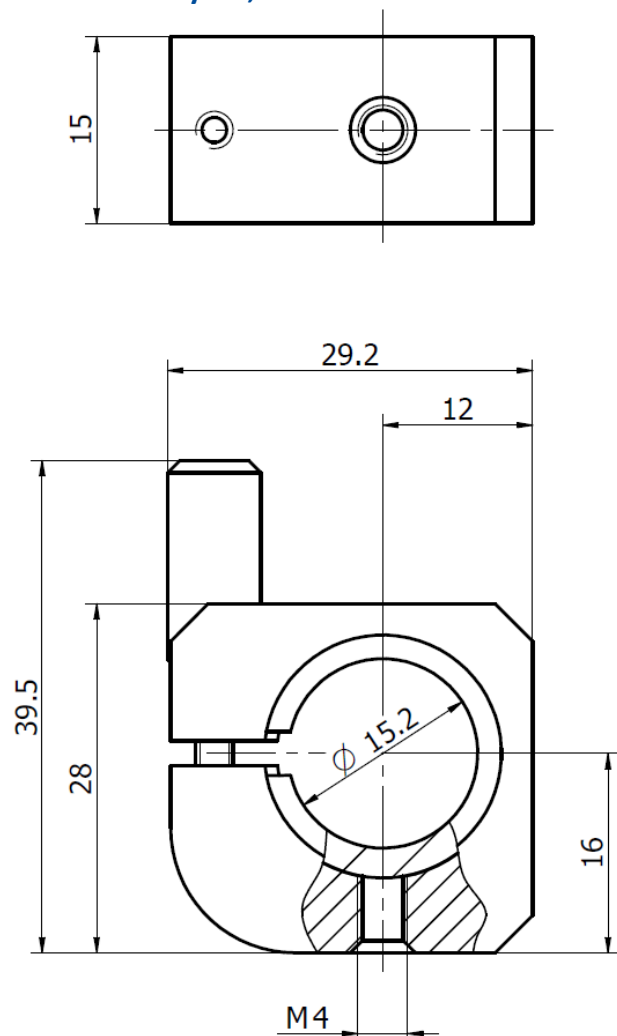


MH-1 module holder



MH-1 is a module holder with M4 mounting hole, dedicated for assembly VIGO microM-10.6 detection modules. It is compatible with DRB-2 mounting system.

Mechanical layout, mm



OTA optical threaded adapter

OTA is an optical threaded adapter made of black anodized aluminium. It is an accessory which allows to build complex systems containing VIGO detection modules (AIP, MIP, PIP) and optical components.

OTA is compatible with all types Thorlabs SM1 threaded lens tubes.



Mechanical layout, mm

