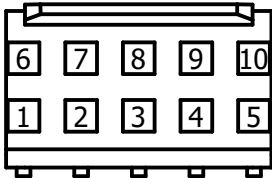


Power supply socket
KK2 (male)

Pin No.	Symbol	Function
1	TECC+	TEC controller supply input (+)
2	TECC GND	TEC controller ground



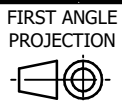
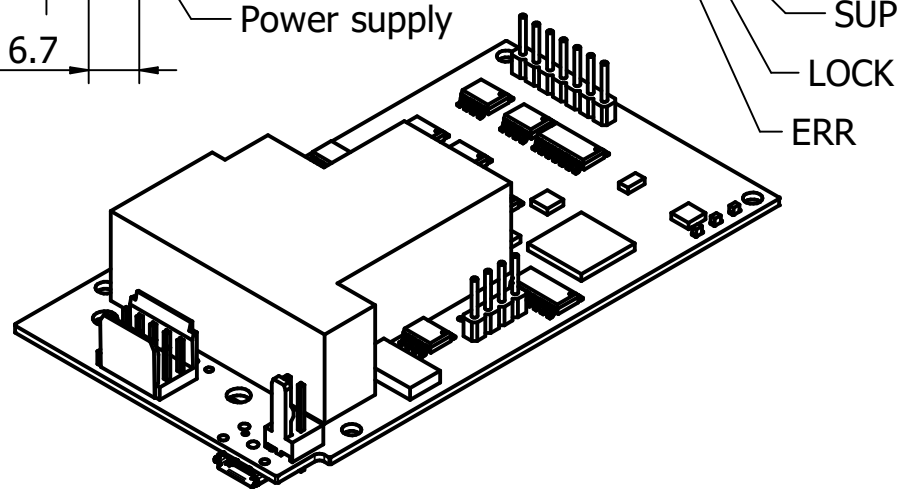
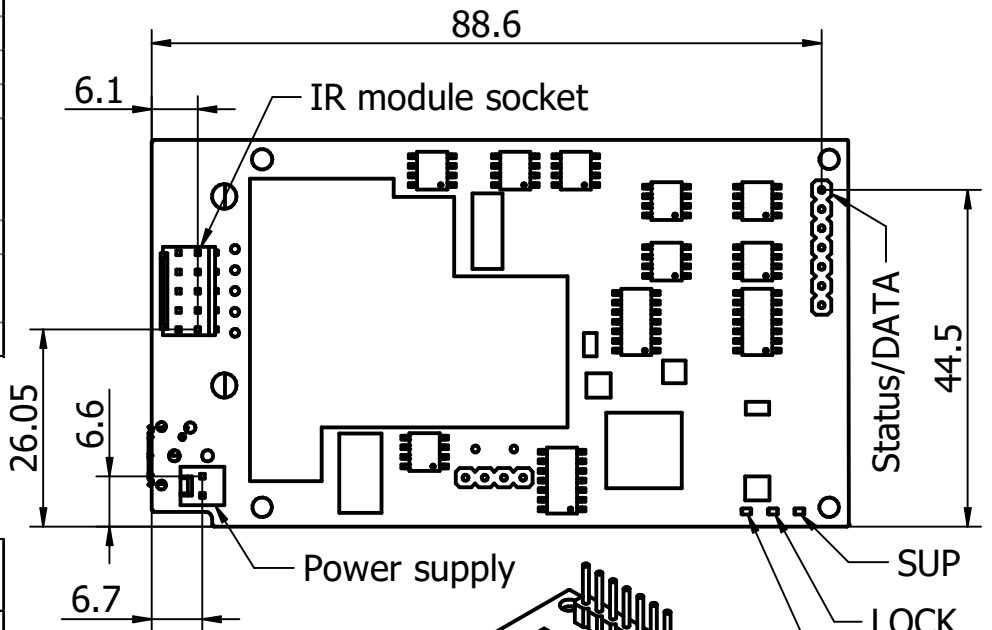
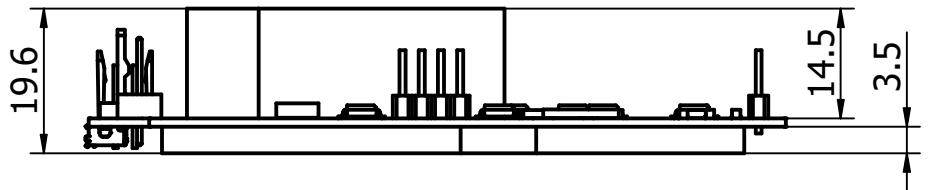
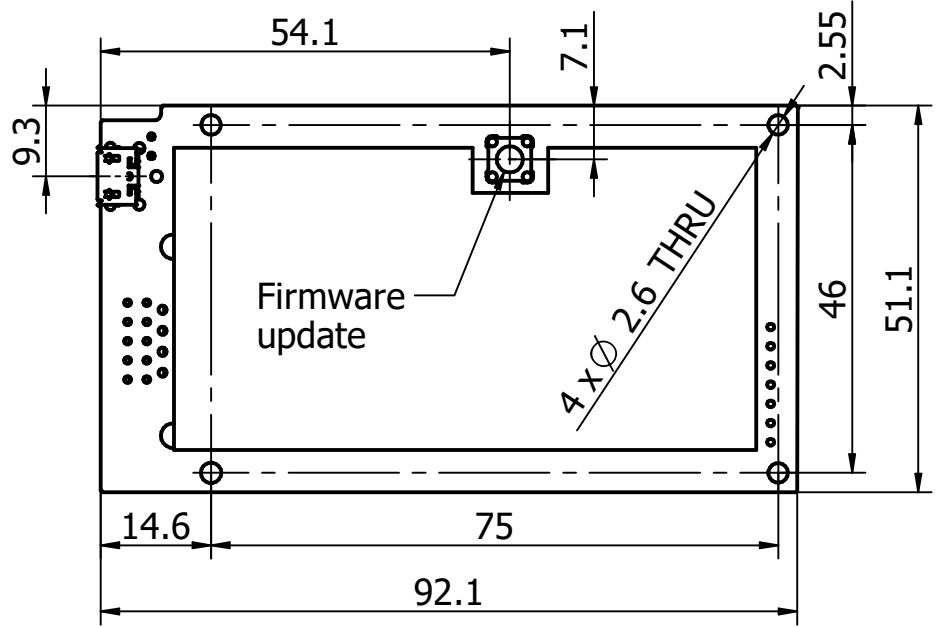
IR module socket
DUBOX 2x5 (male)

Pin No.	Symbol	Function
1	TEC+	TEC supply output (+)
2	TEC-	TEC supply output (-)
3	GND	Ground
4	TH1	Thermistor input (1)
5	TH2	Thermistor input (2)
6	-Vsup	Power supply output (-)
7	+5 V	Fan and programable preamp internal logic auxiliary supply
8	DATA	Bidirectional data port
9	+Vsup	Power supply output (+)
10	GND-SH	Shield



Status/DATA socket
Pin header 1x7 (male)

Pin No.	Symbol	Function
1	ERR-LED	Error indicator
2	LOCK-LED	Temperature control loop lock indicator
3	SUP-LED	Module power supply on indicator
4	3.3 V	Auxiliary supply
5	TXD	Transmitted data (RS-232)
6	GND	Common (signal) ground (RS-232)
7	RXD	Received data (RS-232)



UNIT: mm
GENERAL TOLERANCE:
ISO 2768-mK

Scale
1:1

Sheet
1/1

Size
A4

This document is the property of VIGO System S.A. and may not be disclosed to third parties, copied or used in whole or in part for any purpose without written permission from VIGO System S.A.

Date
08.01.2020

Drawing No.
PTCC-01-OEM

Rev.
0

Title
PTCC-01-OEM TEC controller

