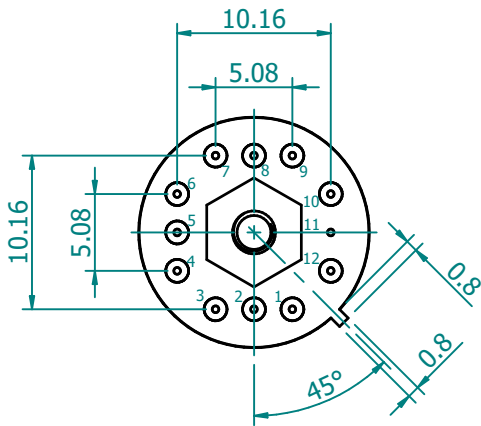
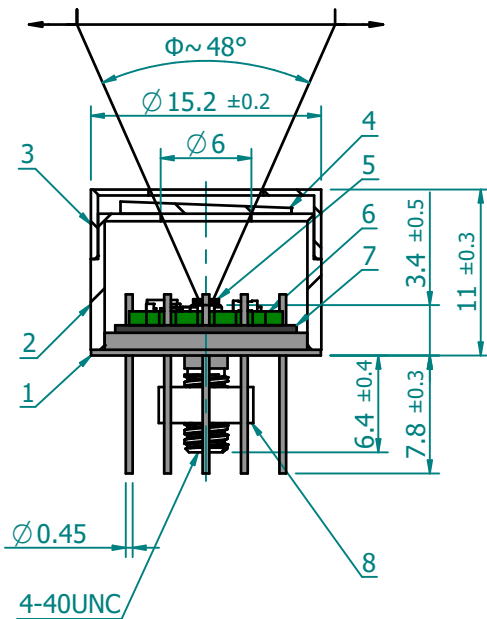


Bottom view



Pinout	
Signal out	1(GND) and 3(+)
Supply	12(+) and 10(-)
Chassis ground	11
Not used	2, 4, 5, 6, 7, 8, 9



8	4-40 UNC A2 nut	Stainless steel
7	Thermopad	
6	Integrated preamplifier	
5	Detector on a carrier	InAs/InAsSb/GaAs/Sapphire/Silicone
4	Window	wZnSe AR
3	Detector cap	Stainless steel
2	Detector case	Stainless steel
1	TO8 header	Gold plated Kovar
No.	Name	Material



UNIT: mm
GENERAL TOLERANCE:
ISO 2768-mK

Scale
2:1

Sheet
1/1

Size
A4

This document is the property of VIGO System S.A. and may not be disclosed to third parties, copied or used in whole or in part for any purpose without written permission from VIGO System S.A.

Date
16.06.2020

Drawing No.
ZWP-TMD-Z001

Rev.
7

Weight
7.15±1

Title
AM0xx20-01

